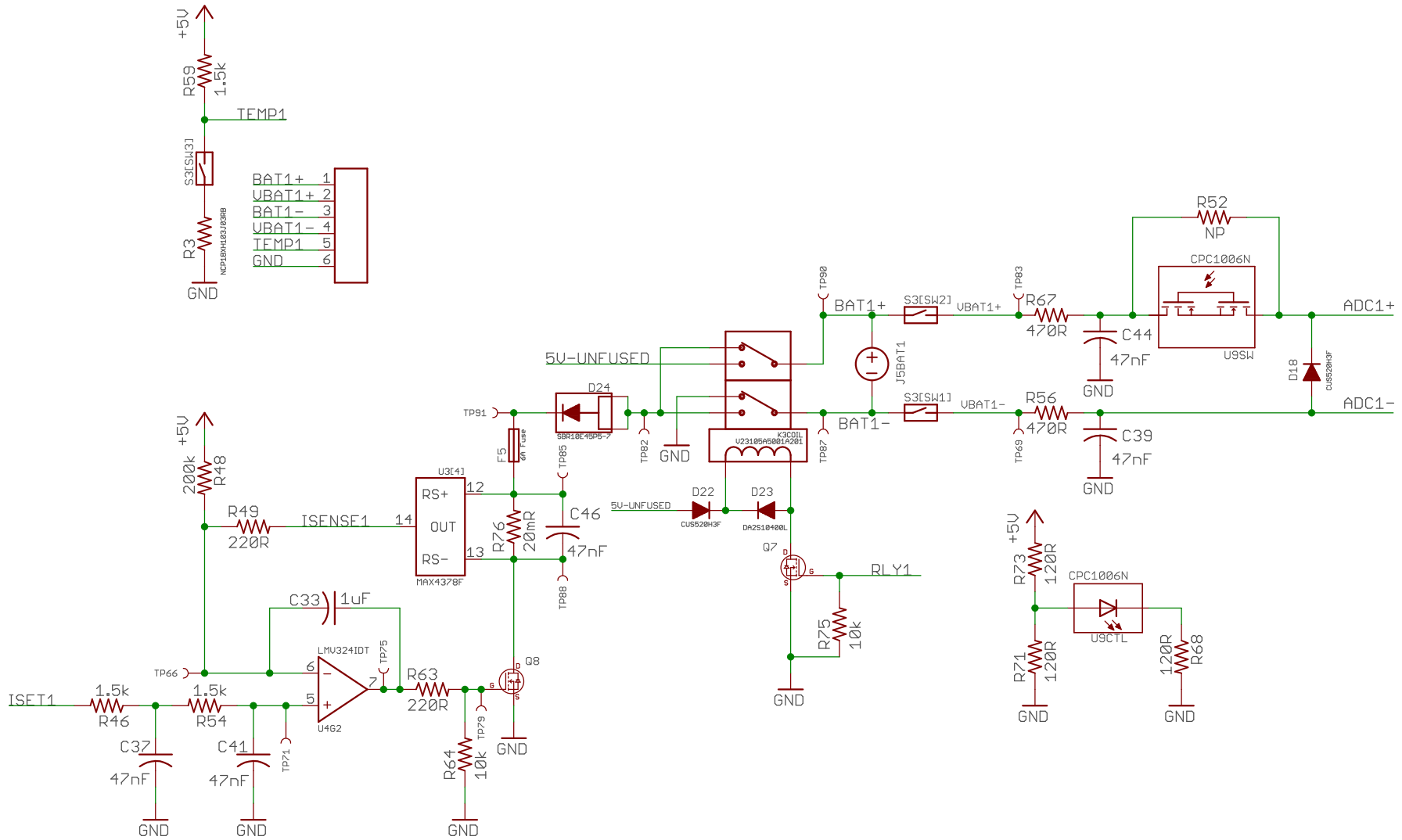
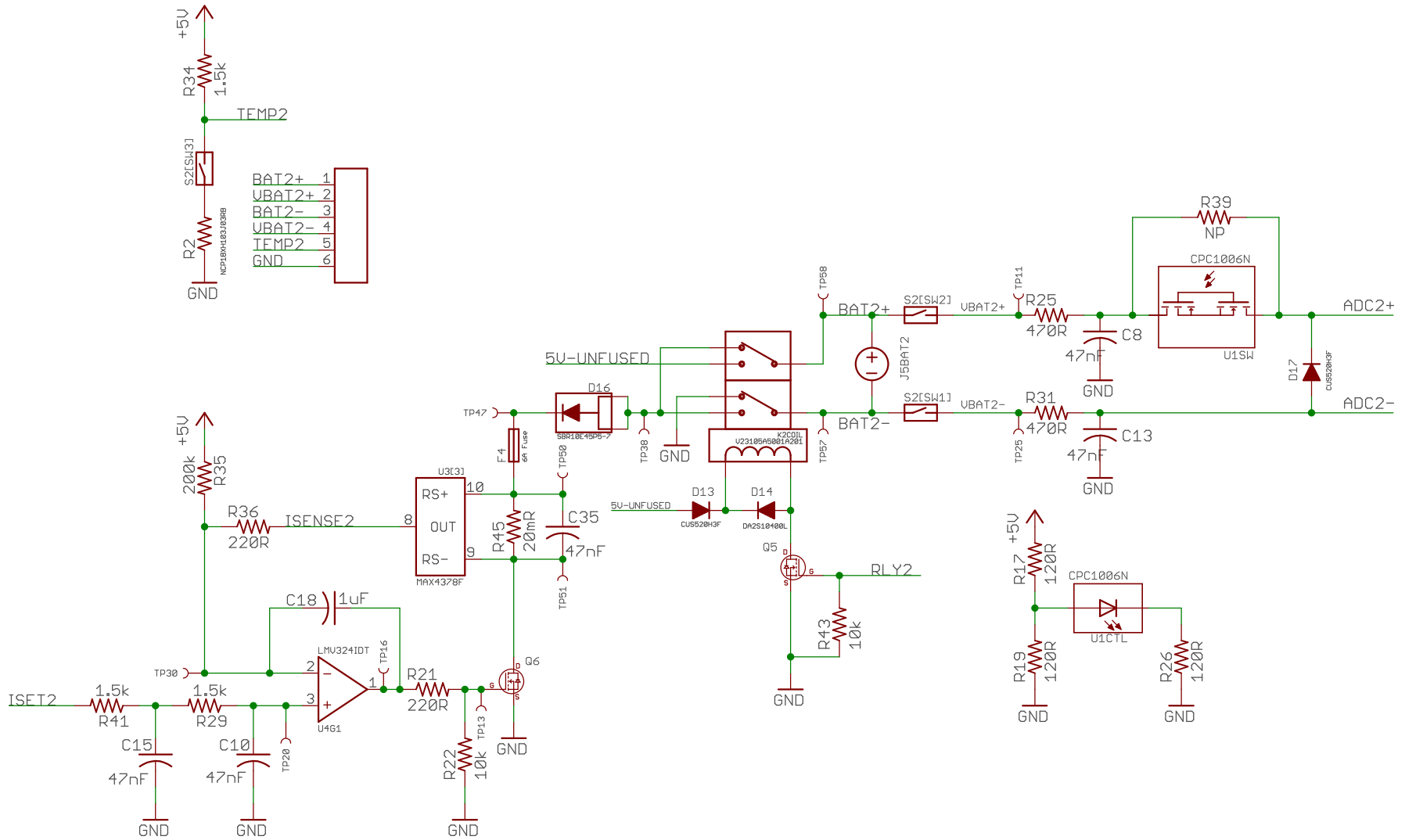
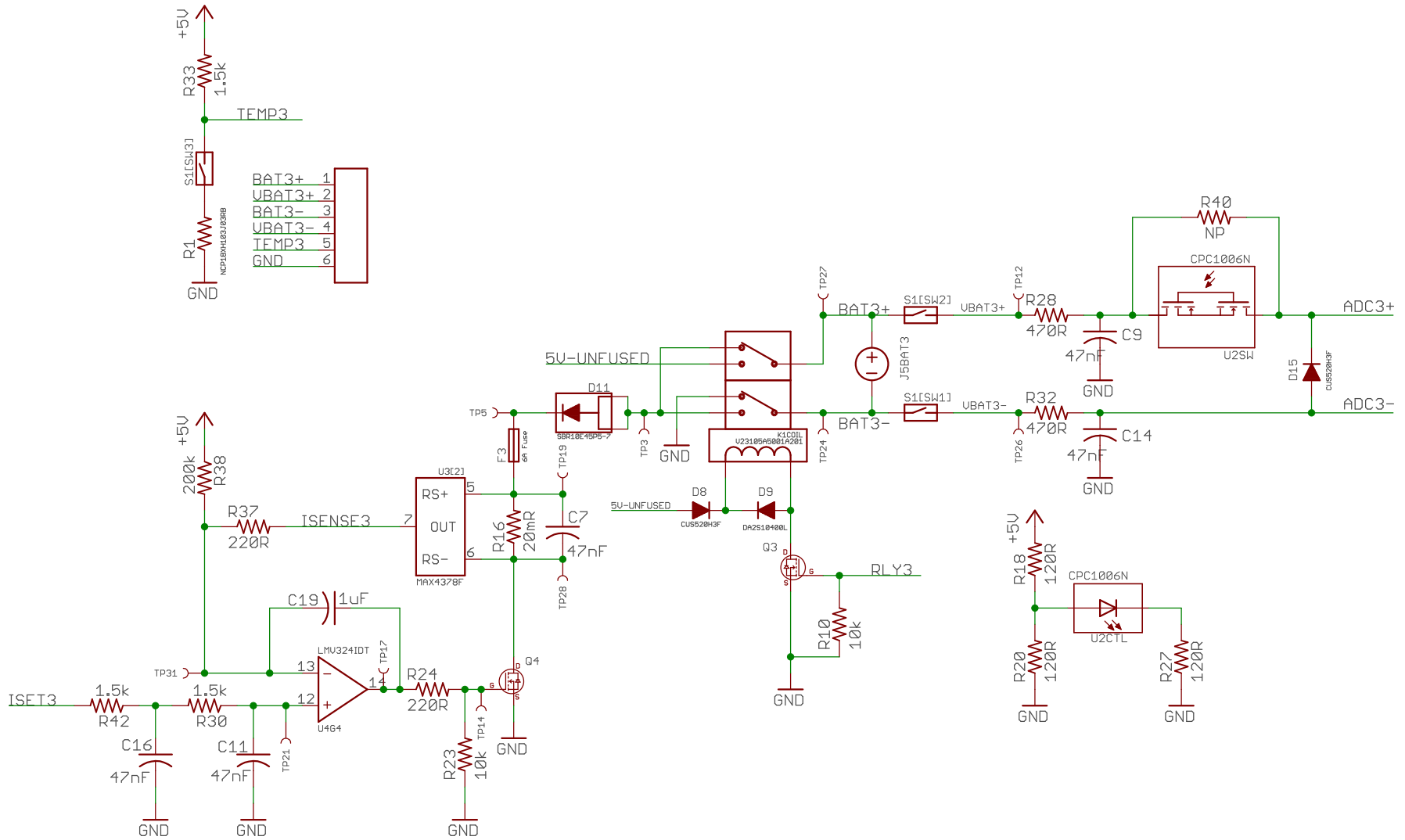
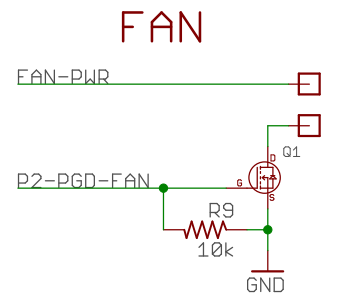
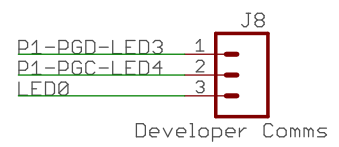
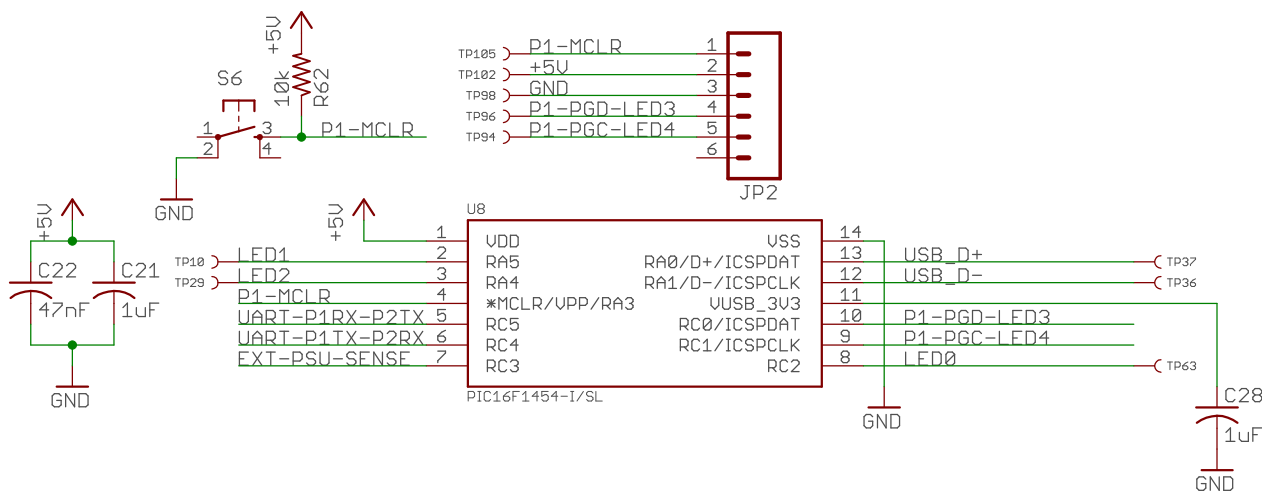
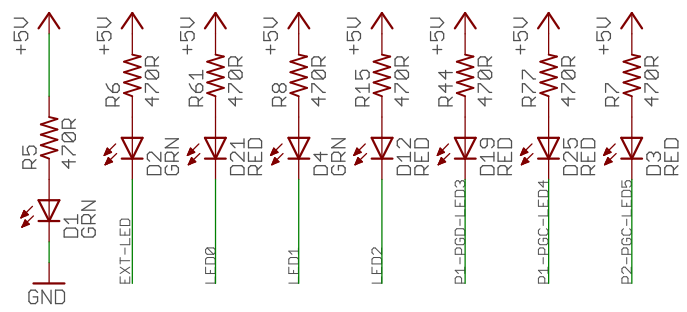
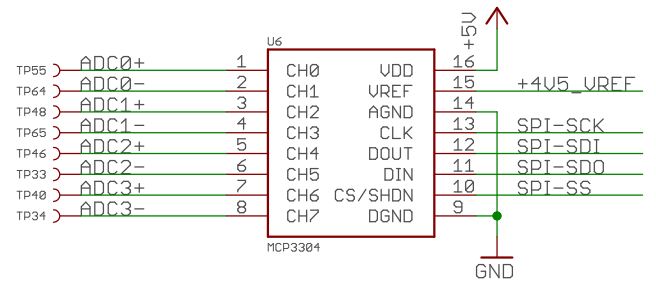
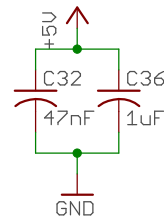
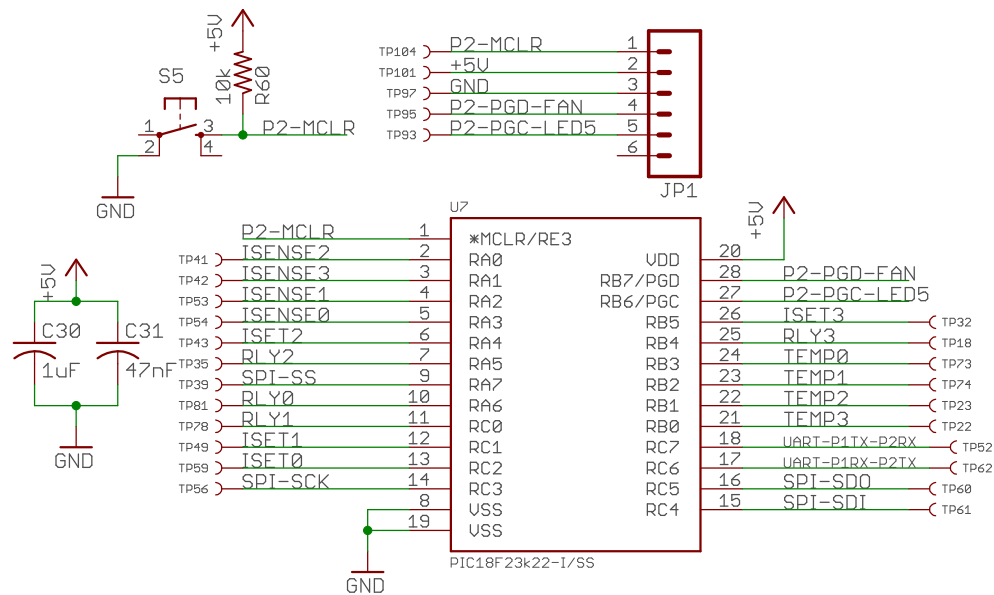


TITLE: LX0001-04
DESCR: Batlab v1.0 PCB
SHEET: 1

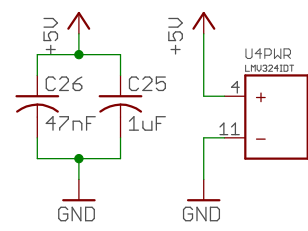
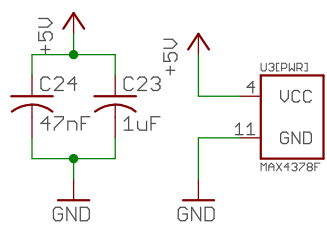
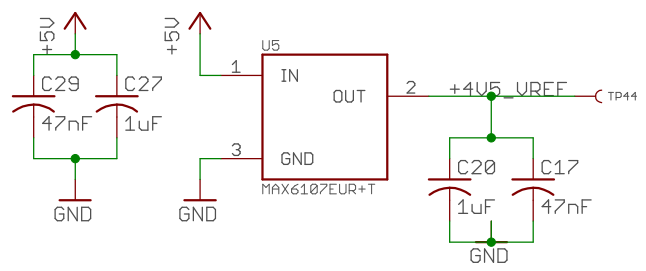
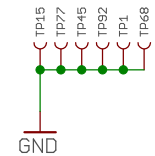
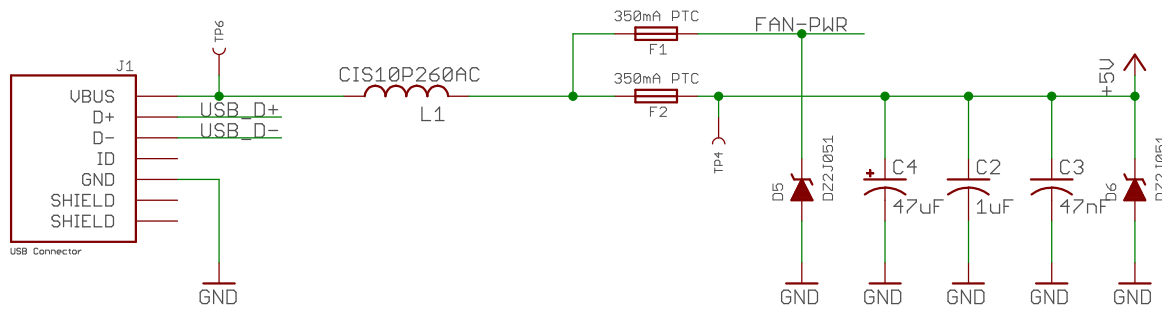
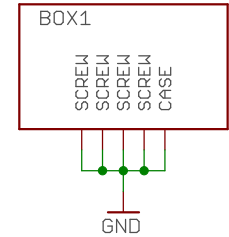
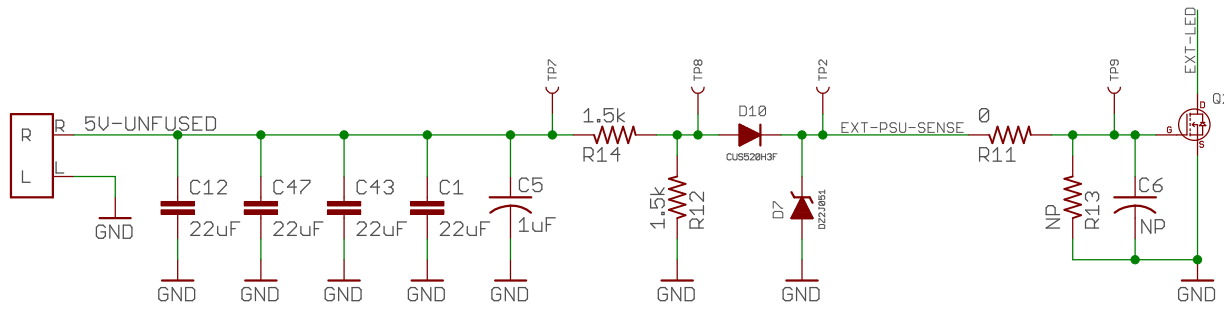








TITLE: LX0001-04
DESCR: Batlab v1.0 PCB
SHEET: 5



TITLE: LX0001-04
DESCR: Batlab v1.0 PCB
SHEET: 6

LEXCELON



CE



LEXCELON

TITLE: LX0001-04

DESCR: Batlab v1.0 PCB

SHEET: 7